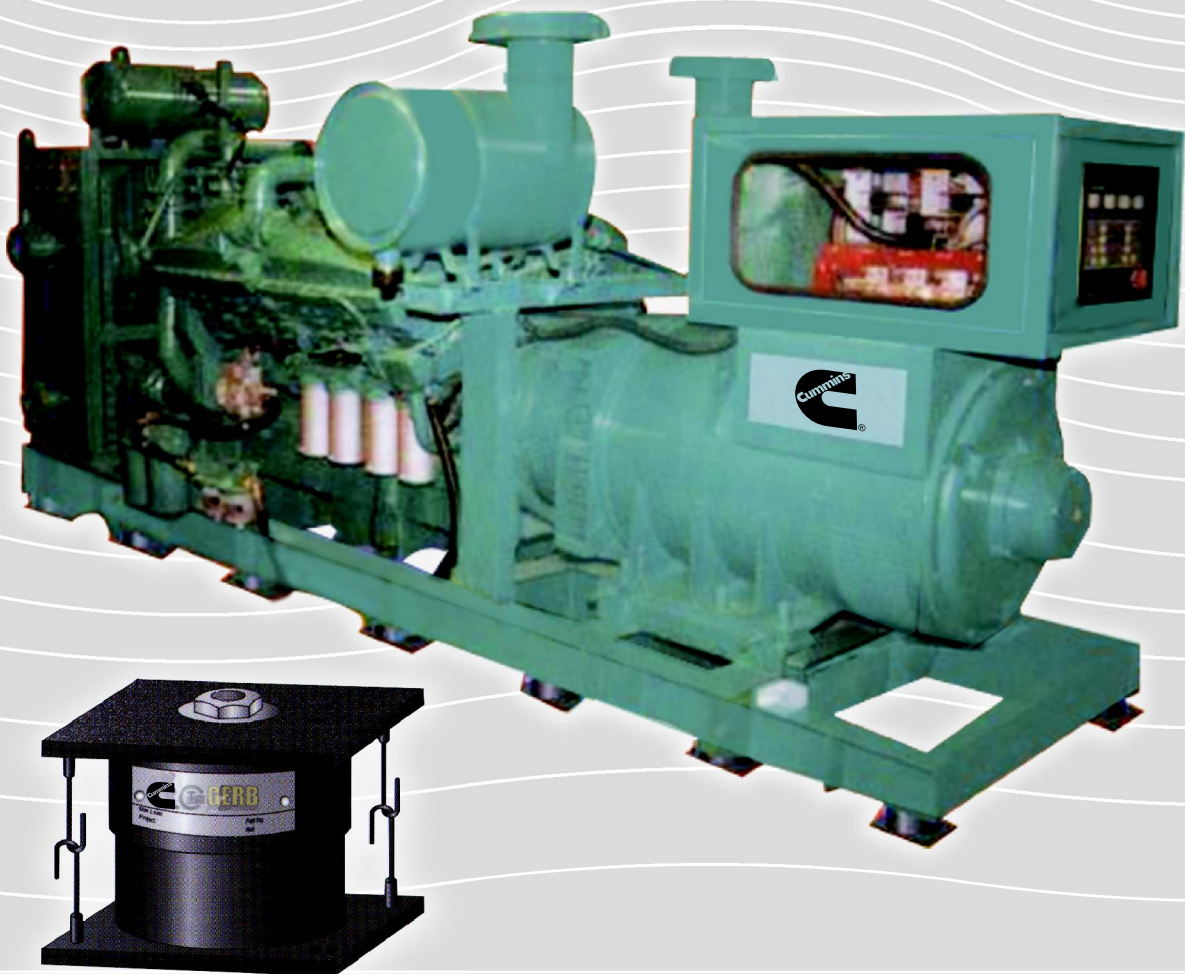


# EVERY™ VIBRATION CONTROLLED



Excellence in Service and Engineering

**Cummins Sales and Service (I) Limited**  
Erandawana, Pune 411 038, India.  
M: 9822017644 Tel. : (91) 020-3027 8000  
Fax : (91) 020-2543 9490  
E-mail: [satish.s.acharya@cummins.com](mailto:satish.s.acharya@cummins.com)

**Vibration Isolator**

**Strategic alliance with GERB.  
Sale - Over 70,000 units.  
Every Industry, Every Segment.**

**Advantages**

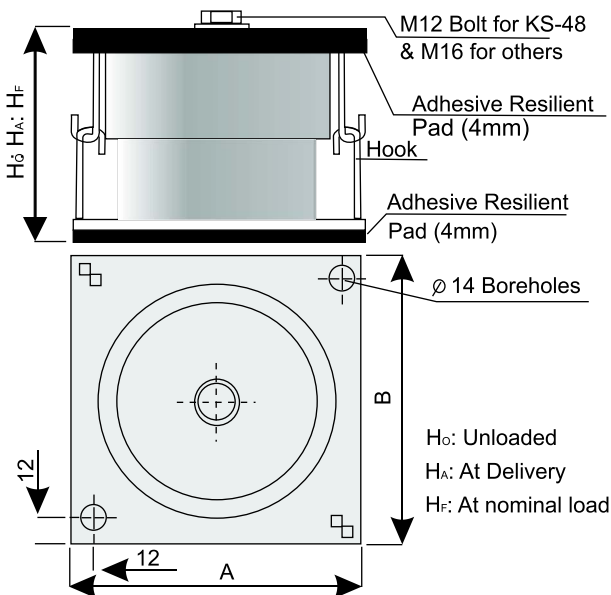
- High vibration isolation efficiency
- No deterioration in performance, with the leaked engine oil
- Right amount of damping
- Only solution for roof-top installation giving high performance
- Life over 20 years - No maintenance - No replacement cost
- No grouting / fixing required - Equipped with self-adhesive pads
- One-to-one replacement with rubber mounts

**Cautions**

- For a good isolation efficiency insist on approx 10mm deflection
- For roof top installation, deflection should be 11-12mm
- No need to bolt Cummins GERB Spring mounts
- No particular direction of installation
- Do not install more number of mounts for more isolation  
Optimize engine weight w.r.t. loading capacity of each mount
- Genset is bound to move over any flexible support system as it crosses resonance - technically it is not a problem as the entire machine moves as one body & there is no relative movement
- Never use double isolation, i.e one under the DG set base frame and one between engine and base frame

**Installation checks**

- Height difference of (normal & loaded AVM)  $\pm$  2mm should exist to compensate the spring flexibility while in operation
- All mount heights should be uniform. Foundation unevenness or base frame bending can cause variation
- Use shims under the mounts to level the machine or slide mounts to area which is compressed more
- Gap between 2 mounts should not exceed 1250mm



**Isolator Loading Specification**

Model	Max Load* F(kg)	Dimensions A=B (mm)	Height (mm) Original** Min		Weight (kg)
KS-48	322	110	73	60	2.0
KS-81	540	120	114	92	3.0
KS-82	600	120	113	94	3.1
KS-84	815	120	113	97	3.2
kSfs1300	999	120	97	86	3.3

**Selection - kva rating wise for Cummins Engines**

Engine Model	KVA	Type of AVM	Qty./ Eng.	Part Nos. New
S3.8G2	30	KS-48	4	AX1001324
S3.8G3	35	KS-48	4	AX1001324
S3.8G4	40	KS-48	4	AX1001324
S3.8G5	45	KS-48	4	AX1001324
S3.8G6	50	KS-48	6	AX1001324
S3.8G7	62.5	KS-48	6	AX1001324
6BT5.NG1	75-82.5	KS-81	6	AX1001325
NT495G	100	KS-81	6	AX1001325
6BTA5.9G1	120	KS-81	6	AX1001325
NTC495G	125	KS-81	6	AX1001325
NTA495G	140	KS-81	6	AX1001325
N8-G1	160	KS-81	8	AX1001325
N8-G2	180	KS-81	8	AX1001325
NTA743G	200	KS-81	8	AX1001325
NTA855G1	225	KS-82	8	AX1001326
NTA855G	250	KS-82	8	AX1001326
NTA855G2	285	KS-82	8	AX1001326
NTA855G2BC	320	KS-82	8	AX1001326
N14G1	320	KS-82	8	AX1001326
KTA1150G	380	KS-82	8	AX1001326
KTA19G3	450	KS-84	10	AX1001327
KTA19G4	500	KS-84	10	AX1001327
VTA28G3	600	KS-fs1300	10	AX1001327
VTA28G5	625	KS-fs1300	10	AX1001328
KTA2300G	750	KS-fs1300	12	AX1001328
KTA38G5	1000	KS-fs1300	12	AX1001328
KTA50G3	1250	KS-fs1300	14	AX1001328
KTA50G8	1425-1500	KS-fs1300	16	AX1001328
QSK45G4	1450	KS-fs1300	16	AX1001328
QSK45G6	1550	KS-fs1300	16	AX1001328
QSK60G3	1875	KS-fs1300	20	AX1001328
QSK60G4	2000	KS-fs1300	20	AX1001328

**\*Selection - As per machine weight in tons**

Appx Weight [in tons]	Speed	AVM Model	Qty. / Eng.	Part Nos. New
0.7-1.10	1500	KS-48	4	AX1001324
Up to 1.60	1500	KS-48	6	AX1001324
Up to 2.10	1500	KS-81	6	AX1001325
Up to 3.C	1500	KS-82	6	AX1001326
Up to 4.C	1500	KS-84	8	AX1001327
Up to 5.50	1500	KS-84	8	AX1001327
Up to 7.00	1500	KSfs-1300	8	AX1001328
Up to 8.25	1500	KSfs-1300	10	AX1001328
Up to 10.40	1500	KSfs-1300	12	AX1001328
Up to 12.50	1500	KSfs-1300	14	AX1001328
Up to 14.00	1500	KSfs-1300	16	AX1001328
Up to 16.00	1500	KSfs-1300	18	AX1001328
Up to 17.50	1500	KSfs-1300	20	AX1001328

\*(HO may be consulted for proper sizing & selection of the mounts for non standard applications.)

**Major Key Accounts**

- AAI
- Airtel
- Ambuja
- Asahi
- Avery
- Bayer
- Bharati Tele
- Britannia
- Bry Air
- Capsugel
- Clayton
- Delphi
- Easter
- Elgi
- Goodwill
- Haldiram
- HLL
- HPCL
- HTMT
- Hutch
- Hutsun Foods
- ICF
- Idea
- Intimate Fashions
- IOCL
- ISRO
- JCB
- Jindal
- Lakhani
- Laser z
- Mico
- MRF
- Navbharat
- Navy
- Orchid
- Pragati Glass
- Precot
- Prime Cotton
- Ramlinga
- RPG Cables
- Safyeast
- Sahara
- SRF
- Subros
- Surya Nepal
- Talbro
- Tata SSL
- Tata Steel
- Tirupur Surya
- TVS
- WS Industries